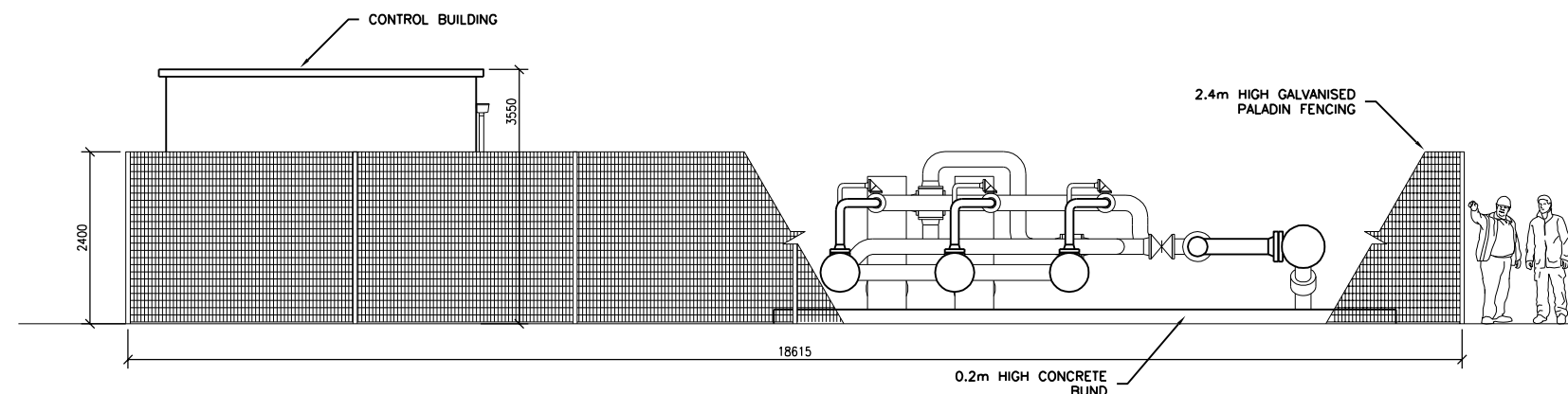
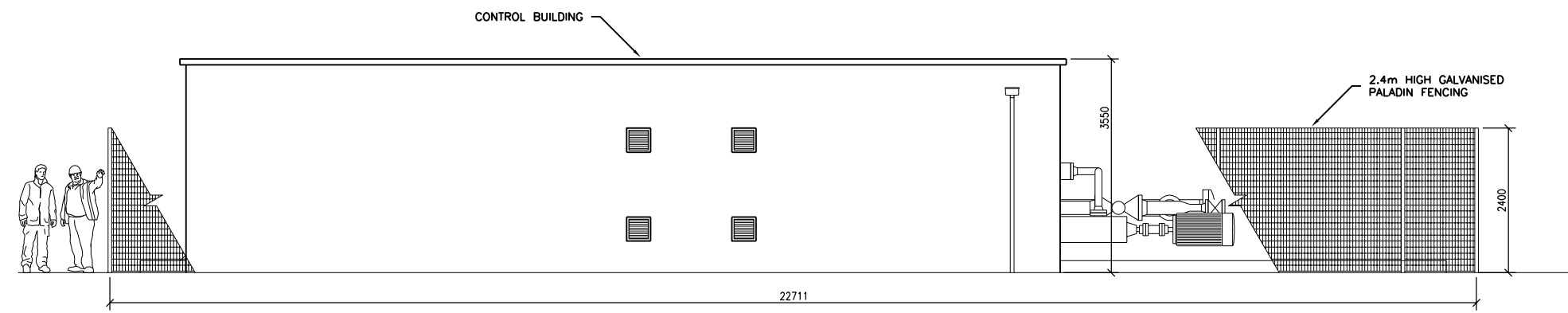


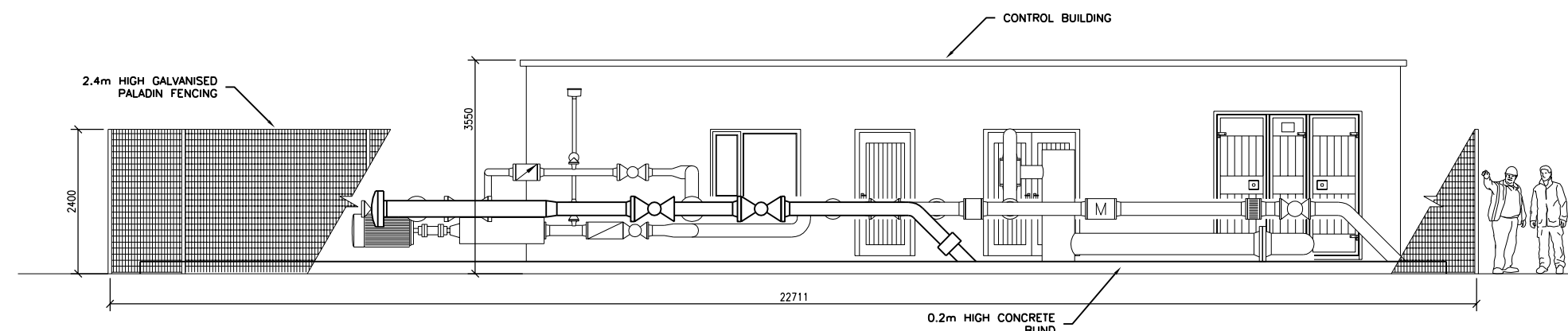
ELEVATION - Facing West



ELEVATION - Facing East



ELEVATION - Facing South



ELEVATION - Facing North

0	PLANNING ISSUE	TM	TC	FOM	ML
REV	REVISION	26/01/15	26/01/15	26/01/15	26/01/15
		REV.BY	A	B	C
		APPROVED			
		On Behalf of: INDEPENDENT PIPELINE Co. Ltd.			
Project AVIATION FUEL PIPELINE		APPROVALS A ENGINEER B PROJECT MANAGER C PROJECT DIRECTOR			
DUBLIN PORT - PIPELINE INLET STATION SITE ELEVATIONS					
Scale	1:100/A3	Status	DRAFT	Drawing Number	0362/D/04/G/0004
				Sheet	1 of 1